

8

7

6

5

4

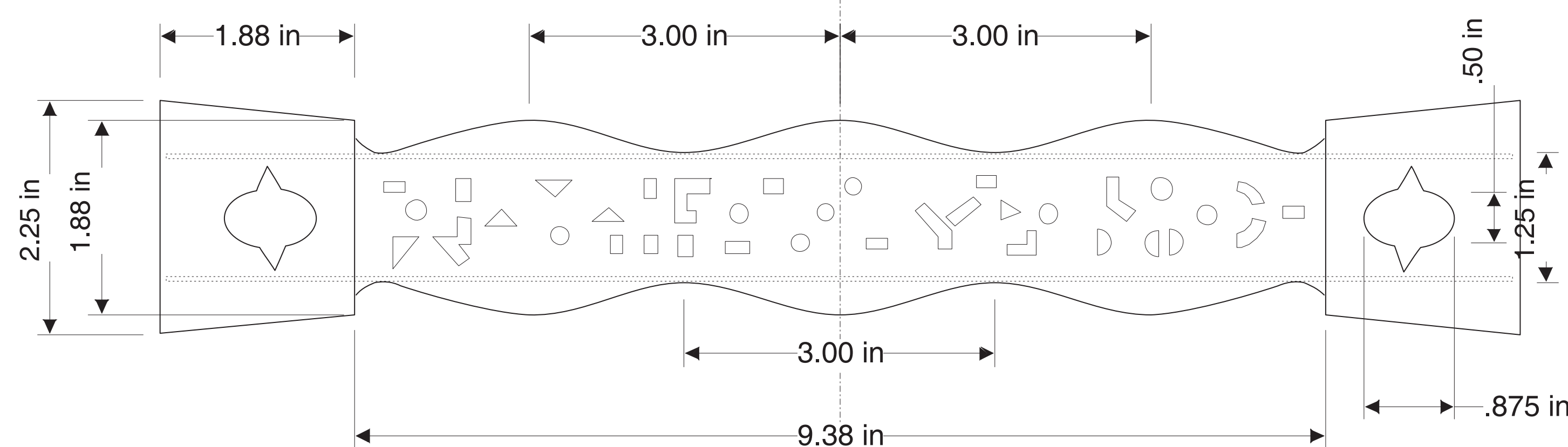
3

2

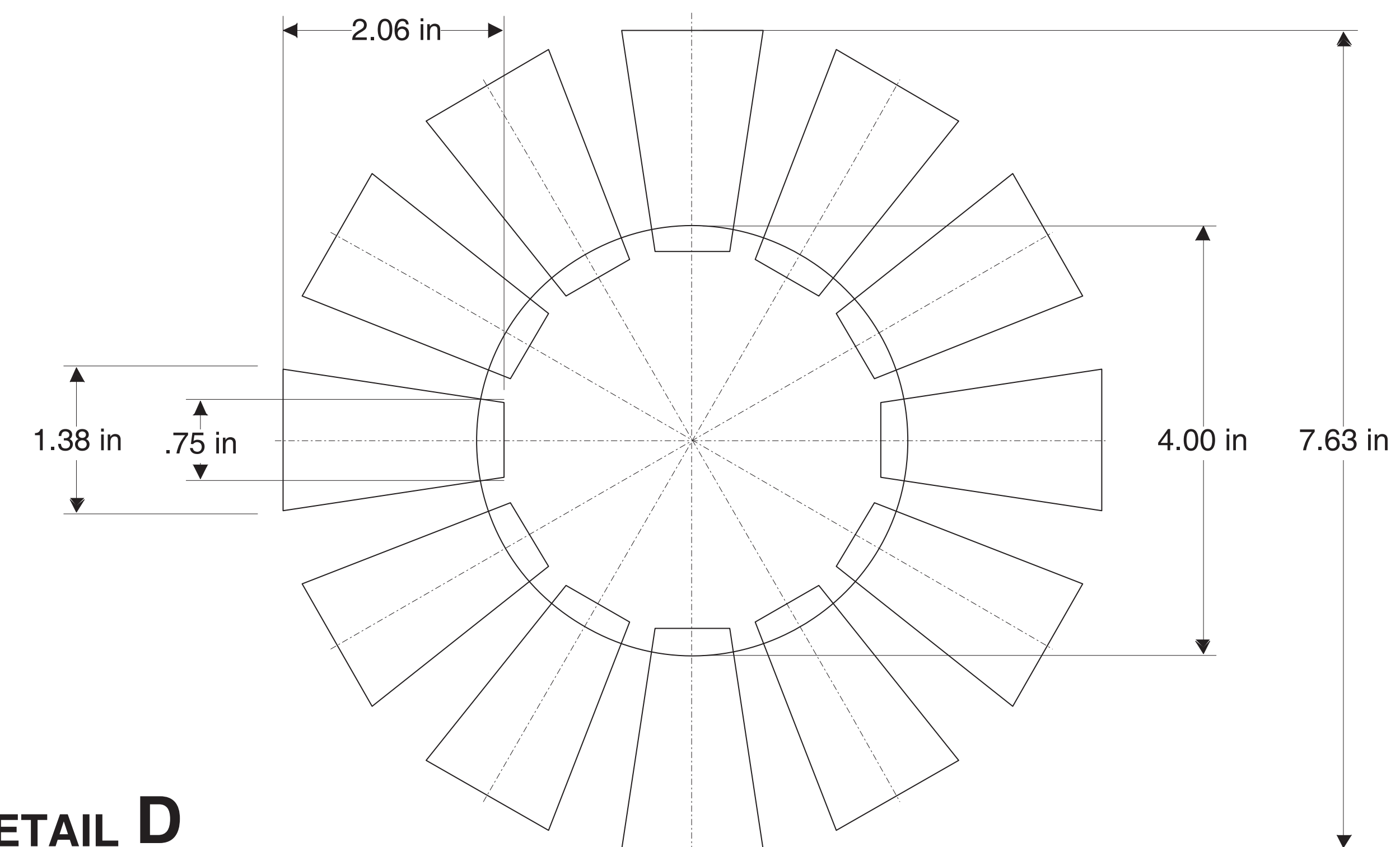
1

REVISIONS				
ZONE	REV	DESCRIPTION	DATE	APPROVED
02	A	ADDED MISSING PERFORATION	8-20-98	D.P.
B.C.D.2	A	REDRAW NECK FLANGE USING CORRECT DIMENSIONS	8-21-98	D.P.
84.5.6.7.A	B	CORRECTED REAR PIECE - LENGTH	9-15-98	D.P.
02	C	REVISED PER RESEARCH PROVIDED BY C. HENBRECHT	6-14-01	D.P.

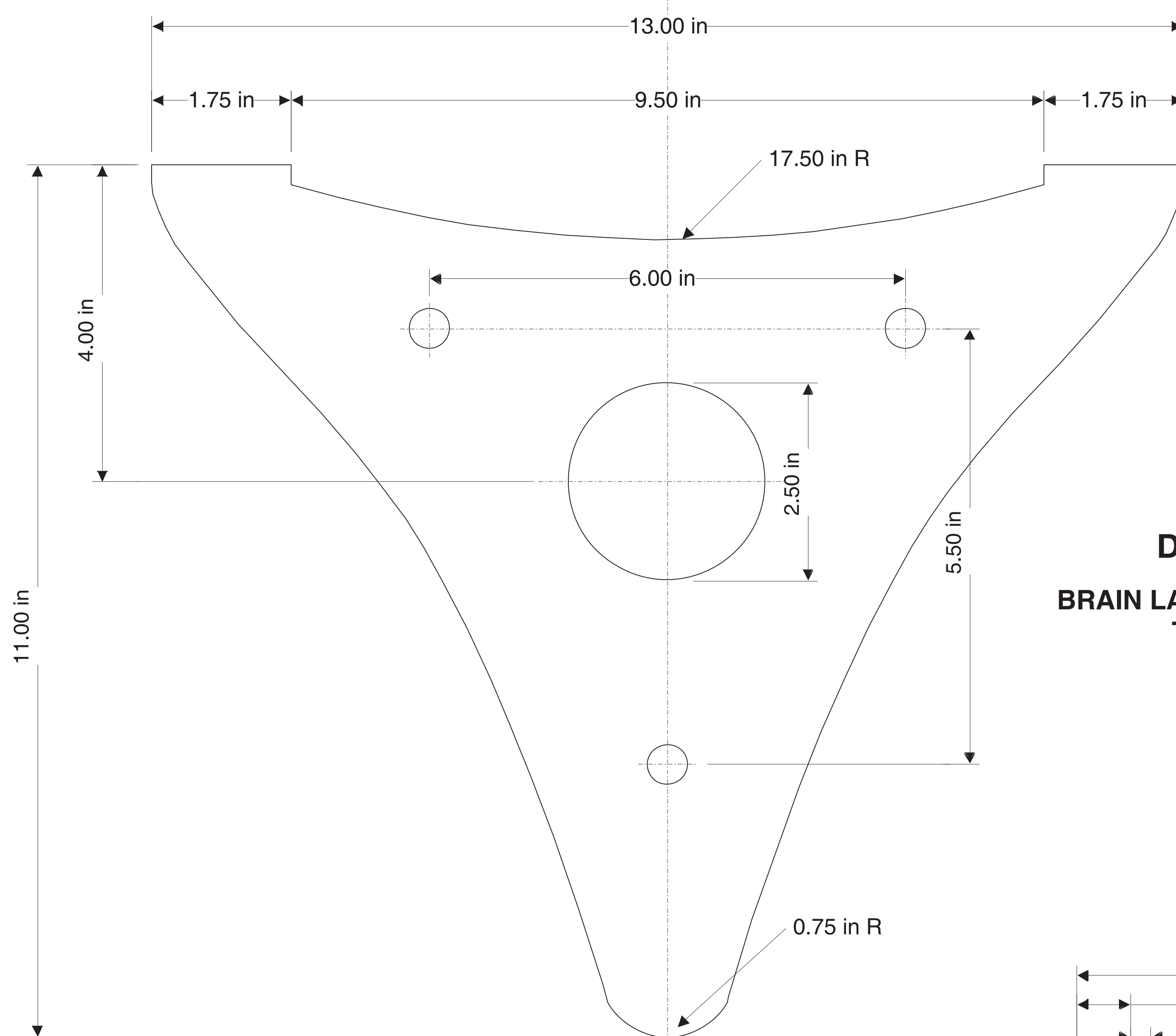
DETAIL A
BRAIN FRONT VIEW



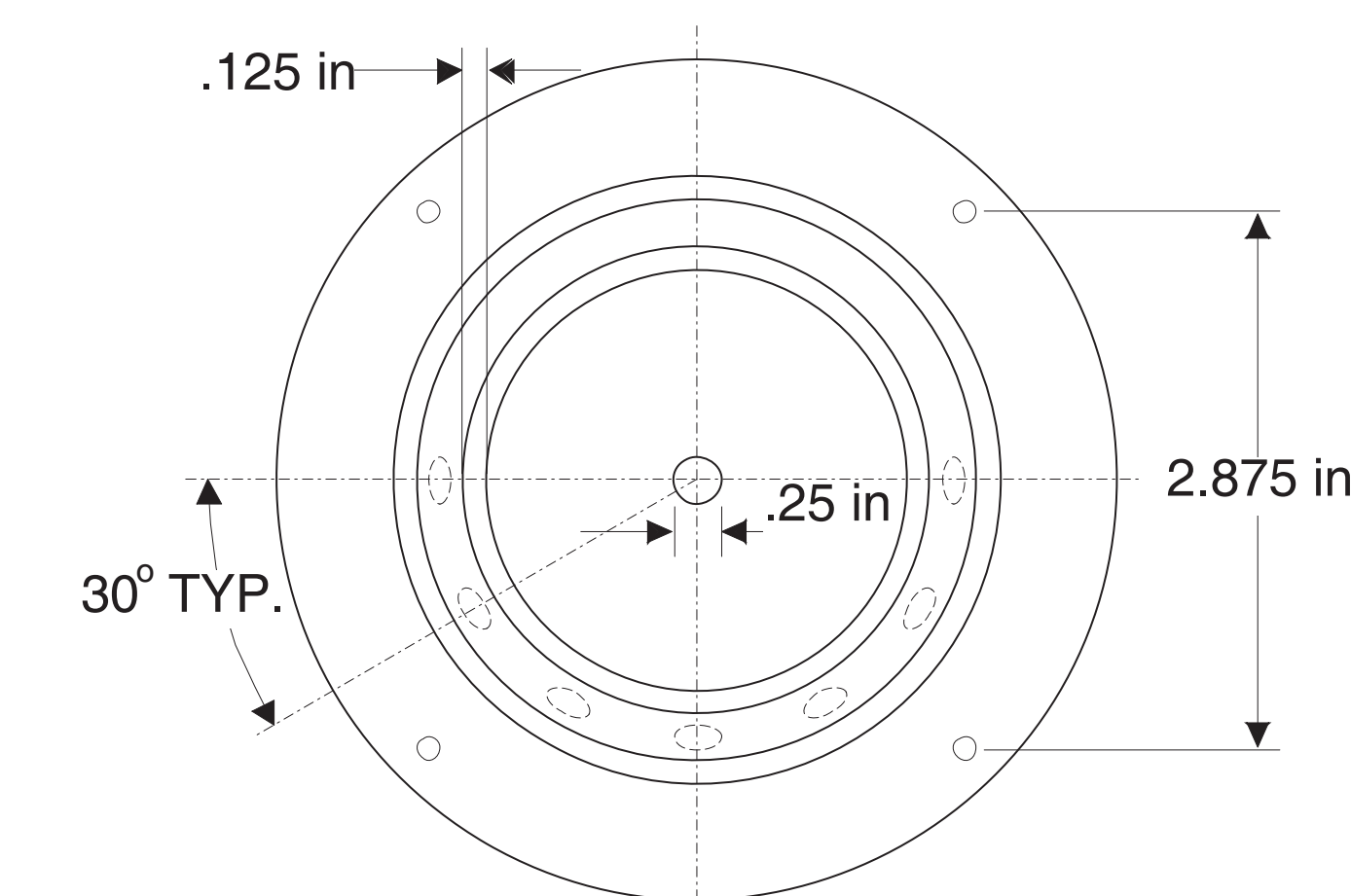
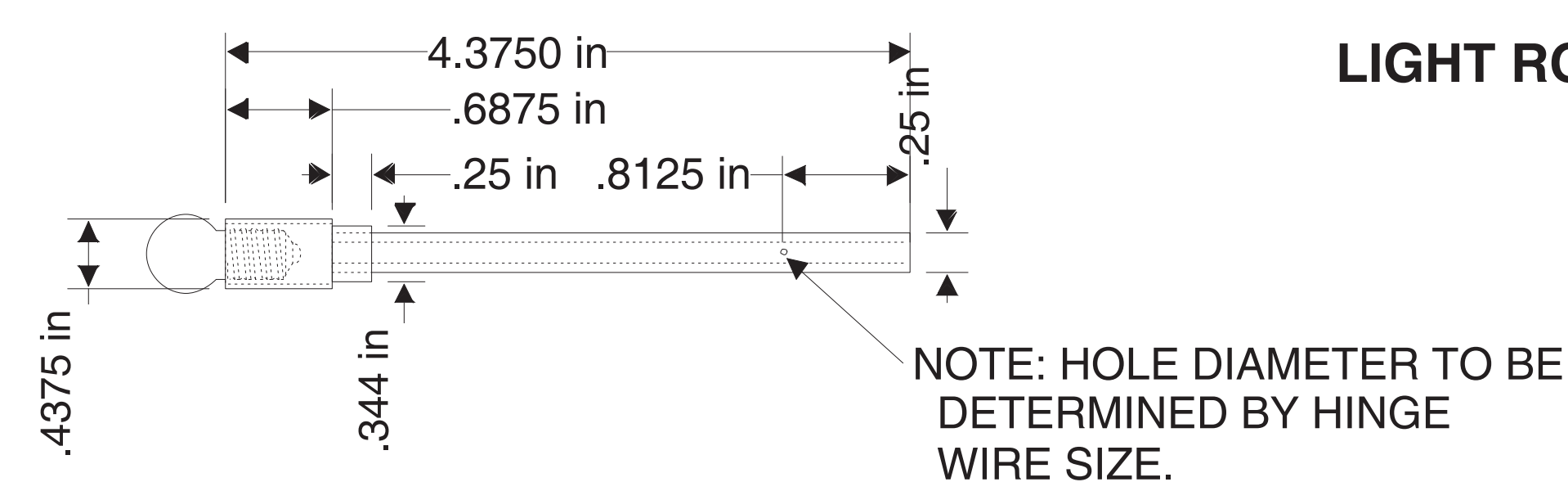
DETAIL D
CROWN



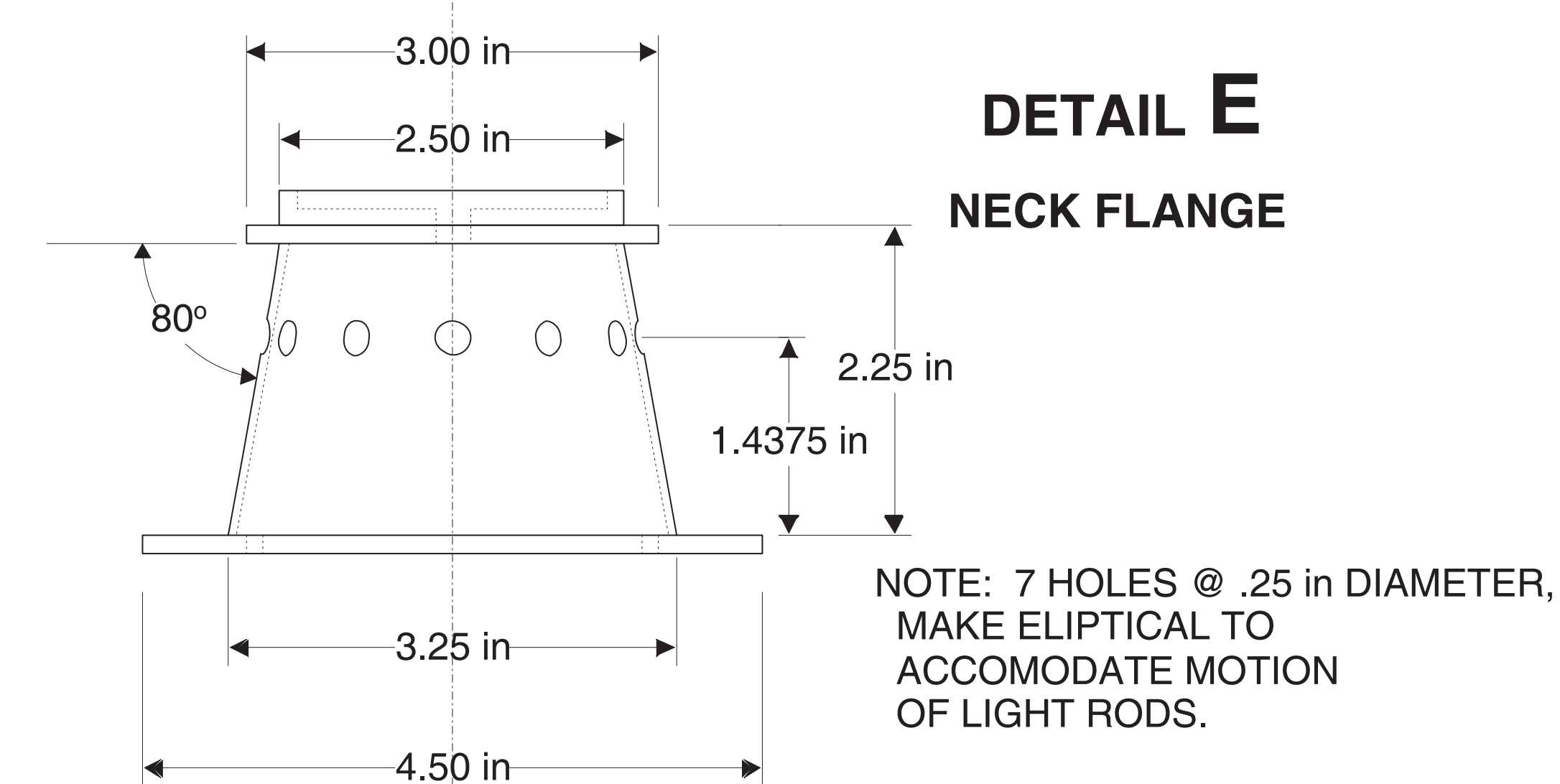
DETAIL B
BRAIN LAYOUT TEMPLATE TOP VIEW



DETAIL F
LIGHT ROD



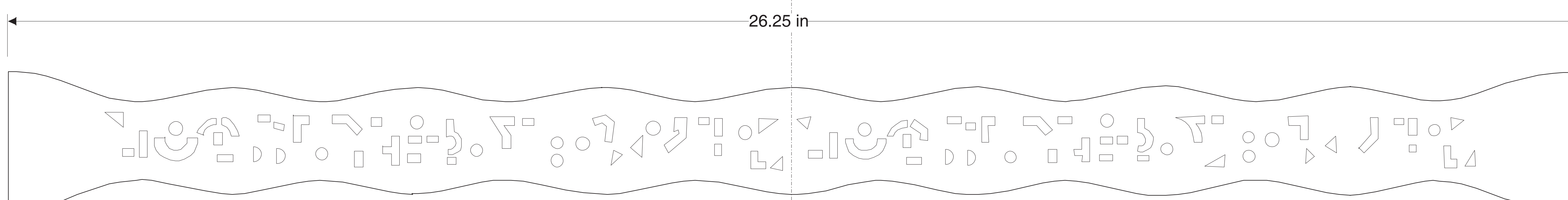
DETAIL E
NECK FLANGE



ROBOT LEFT SIDE

ROBOT RIGHT SIDE

DETAIL C
BRAIN PERFORATIONS



ROBOT B9
BRAIN ASSEMBLY

D. Painter	SIZE: 7/21/98	DWG NO.	REV: C
<i>D. Painter</i>	SCALE: 1:1	SHEET: 2 of 2	

8

7

6

5

4

3

2

1