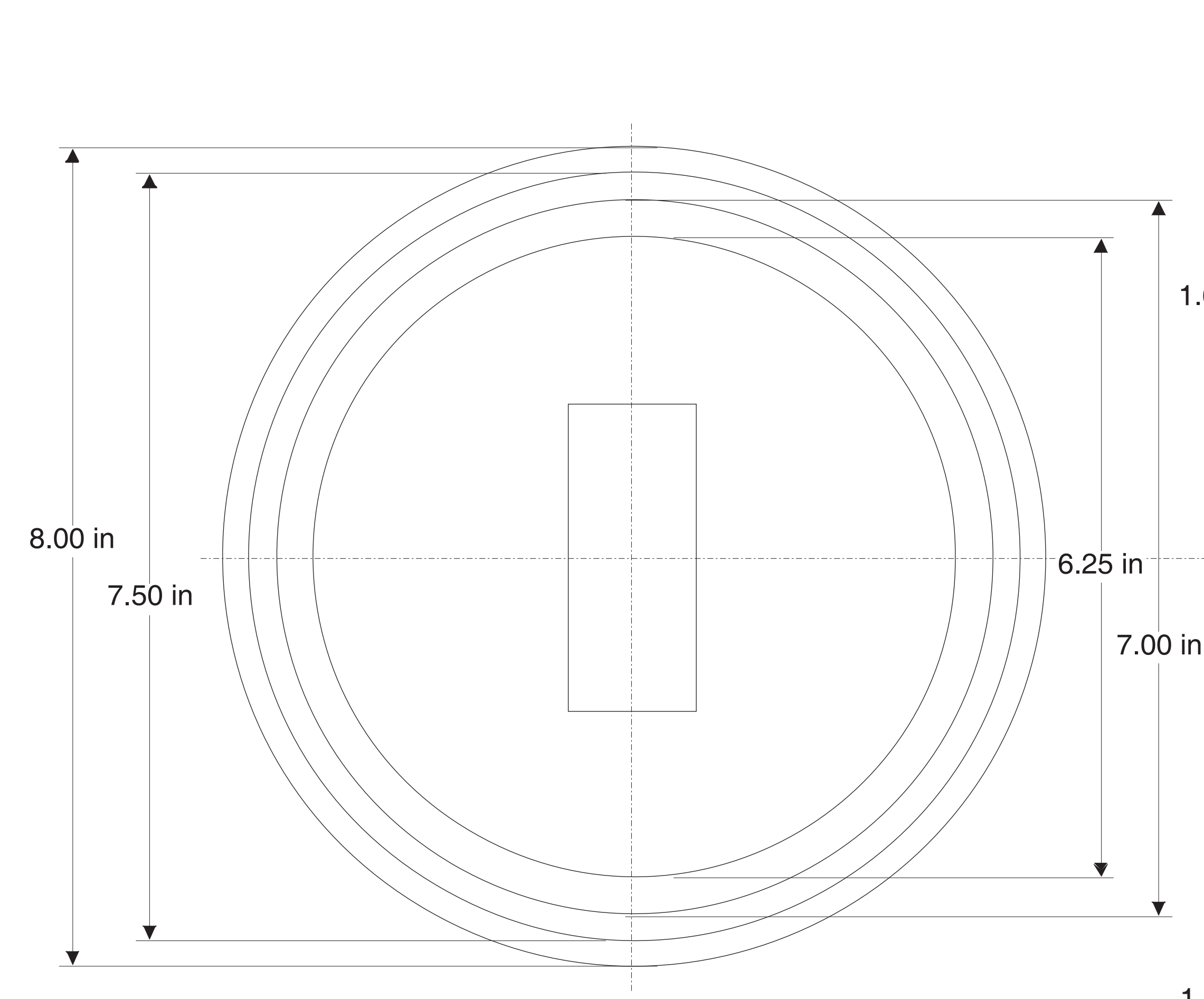
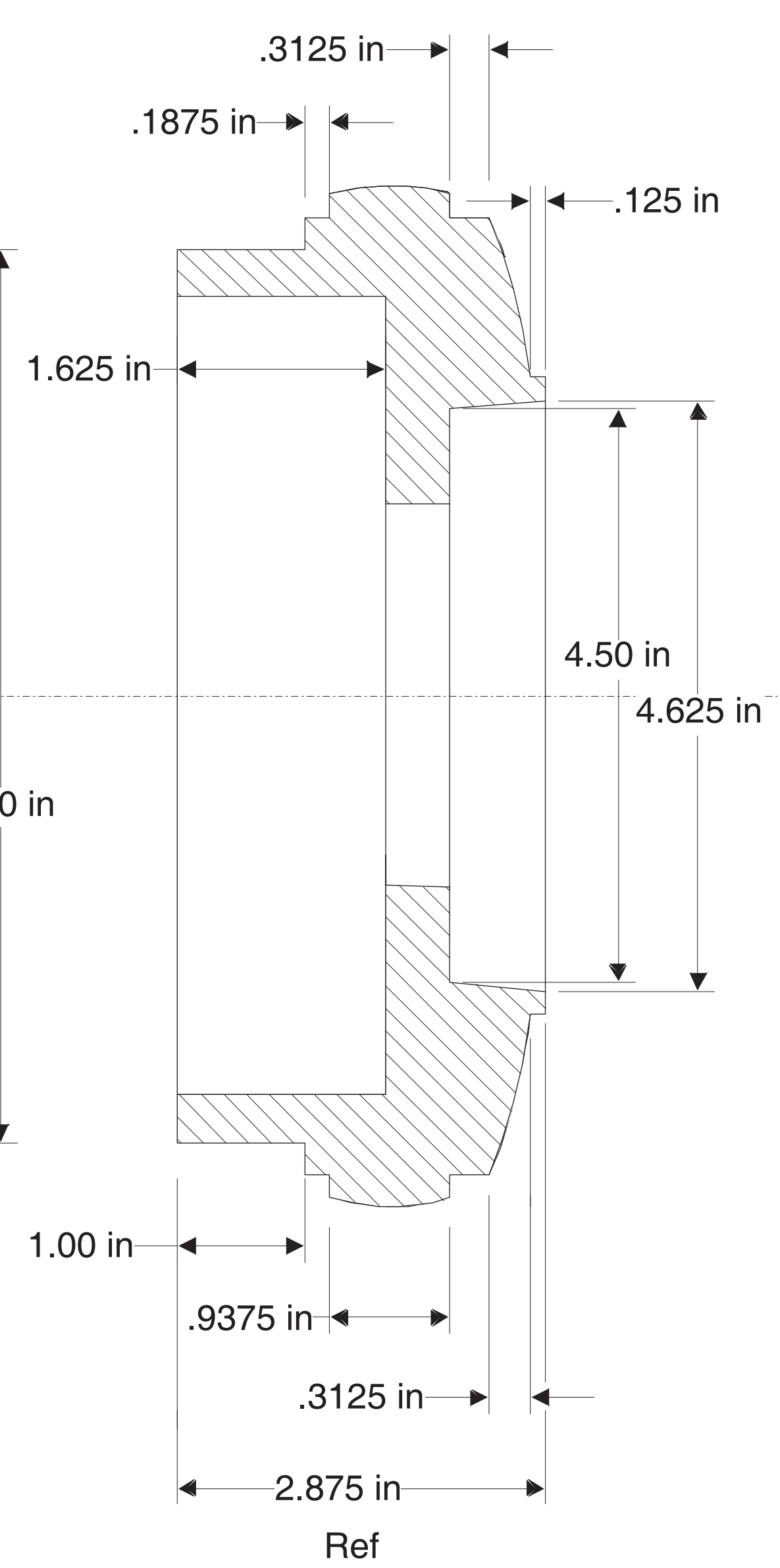


ZONE		REV	DESCRIPTION	DATE	APPROVED
REVISIONS					

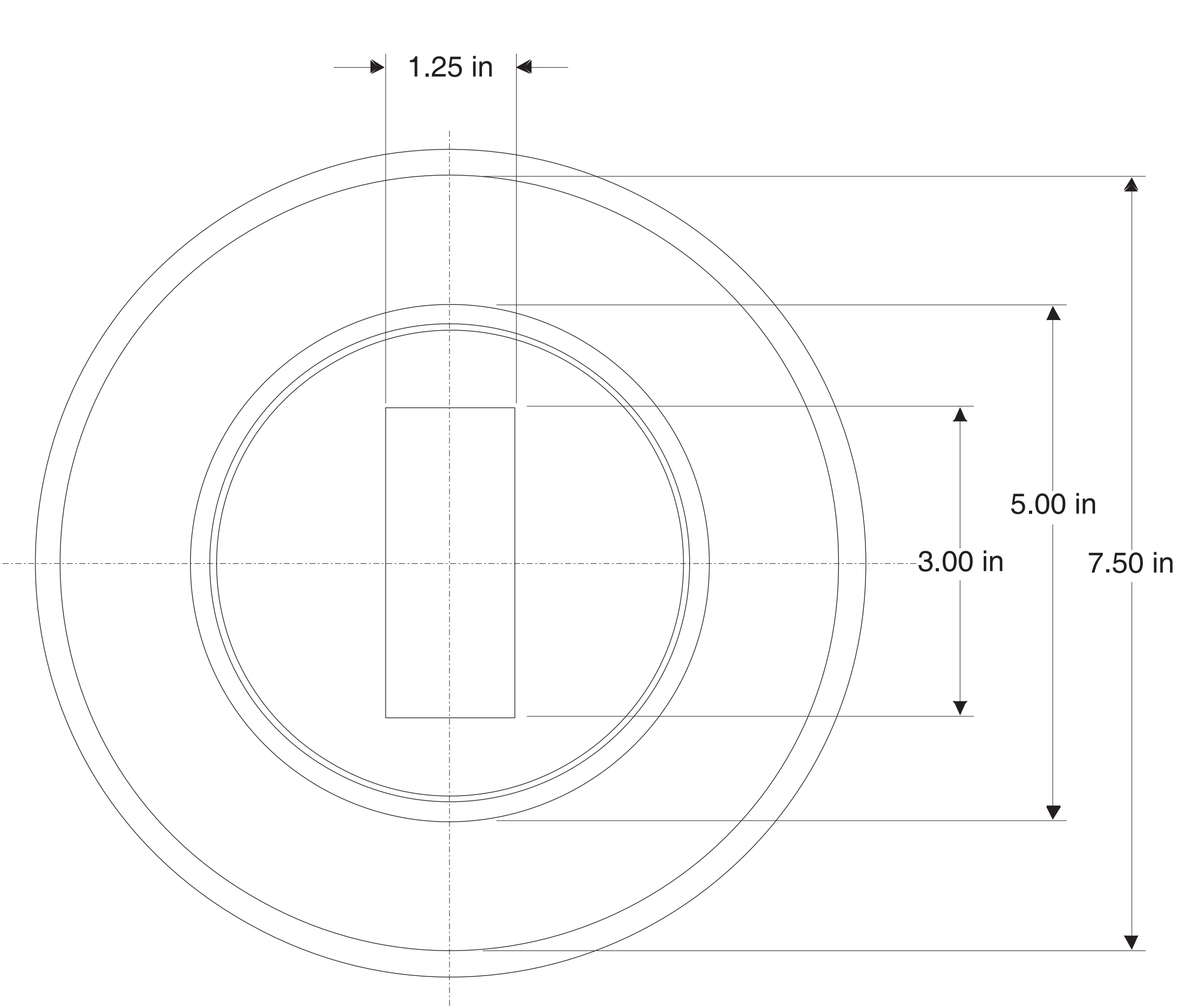
WRIST REAR VIEW



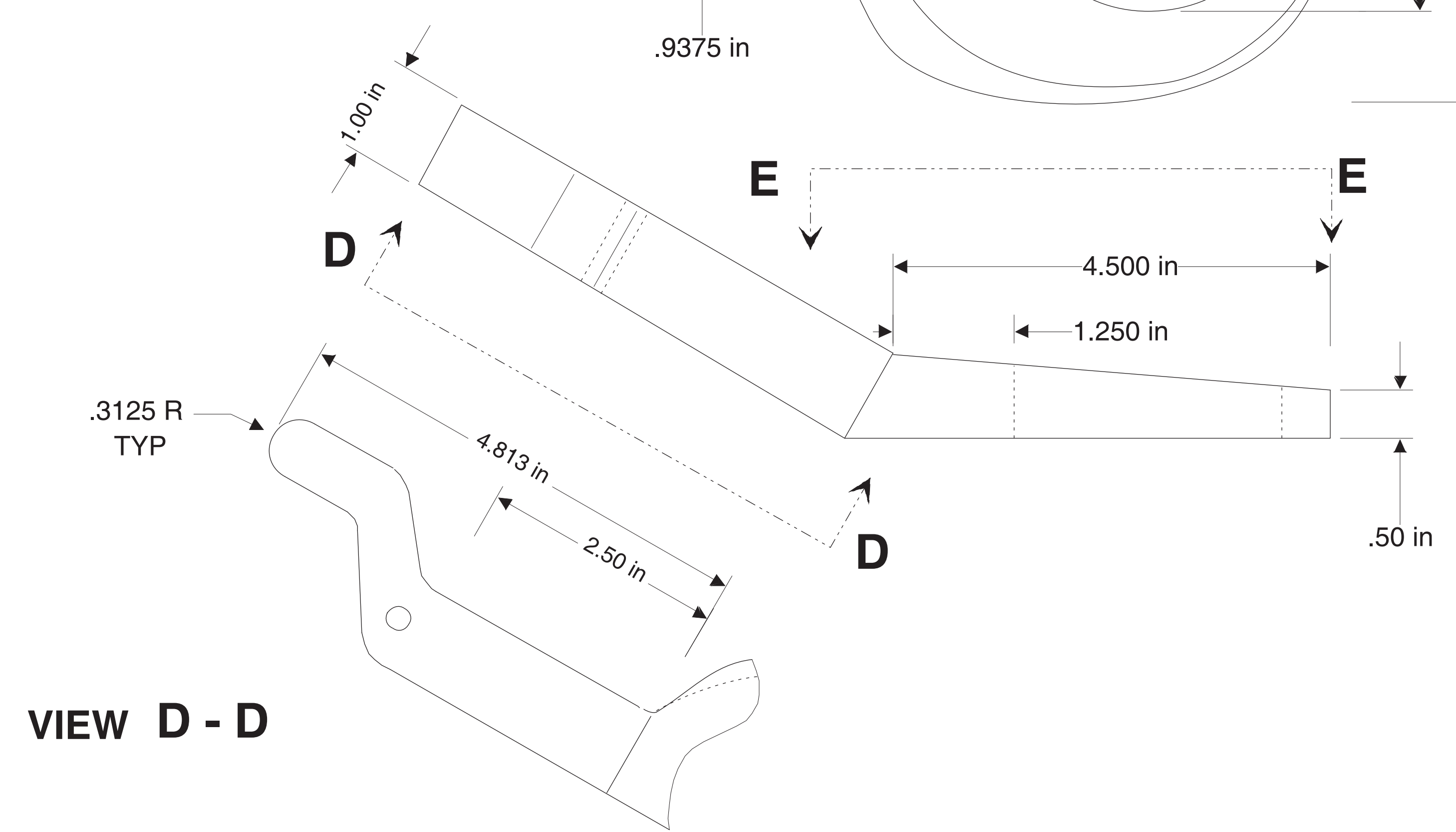
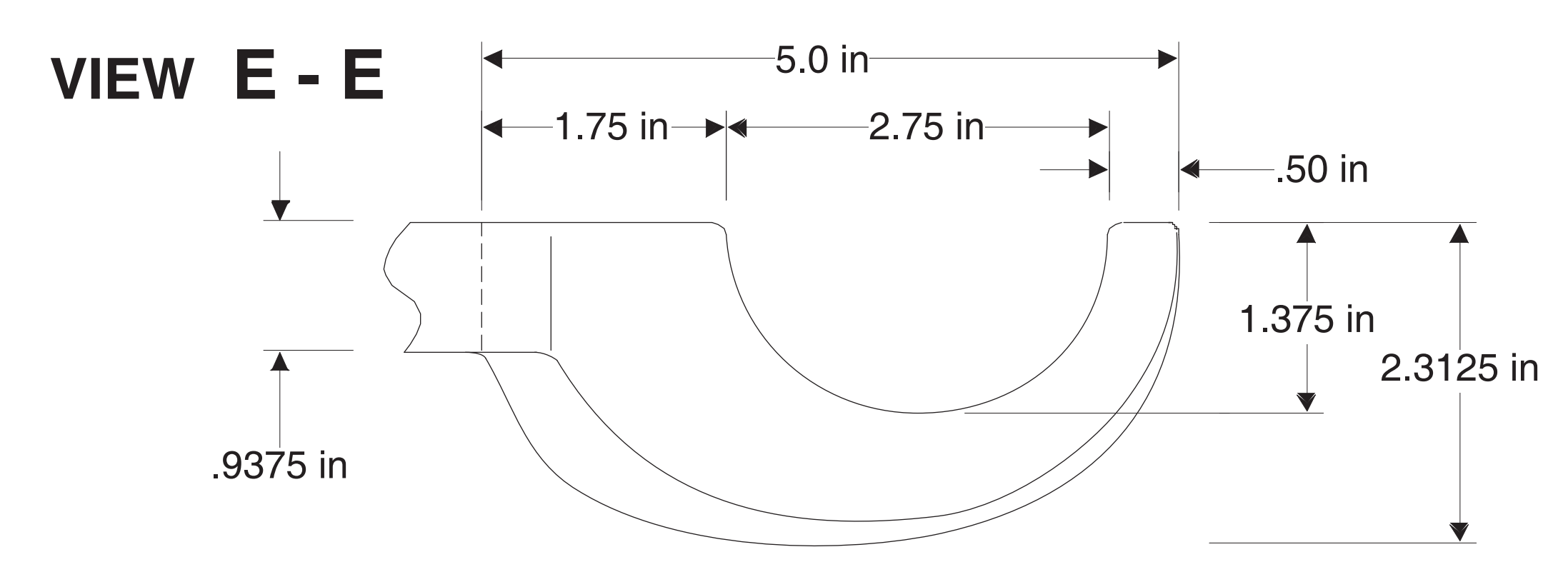
SECTION WRIST SIDE VIEW



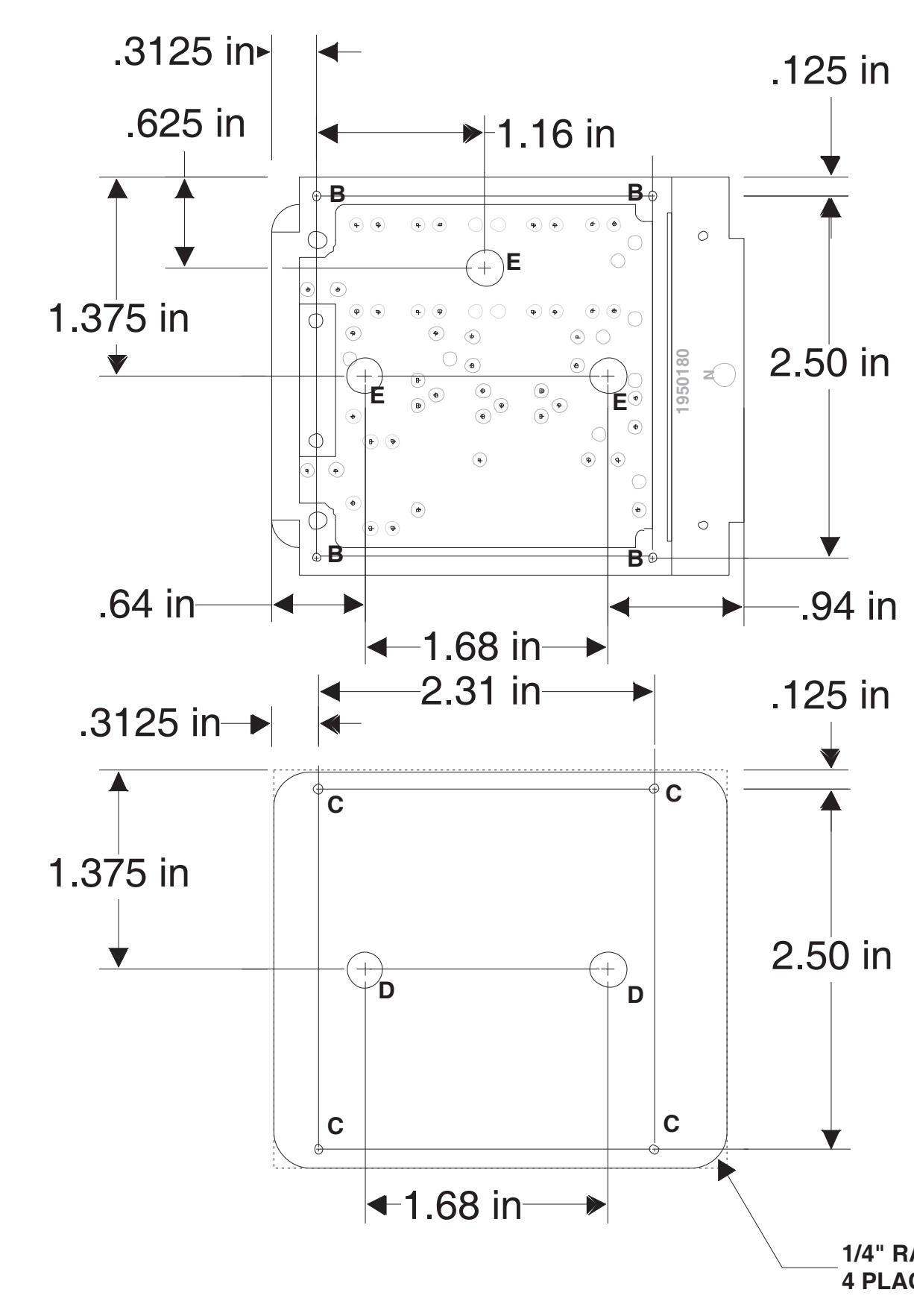
WRIST FRONT VIEW



UPPER RIGHT / LOWER LEFT CLAW



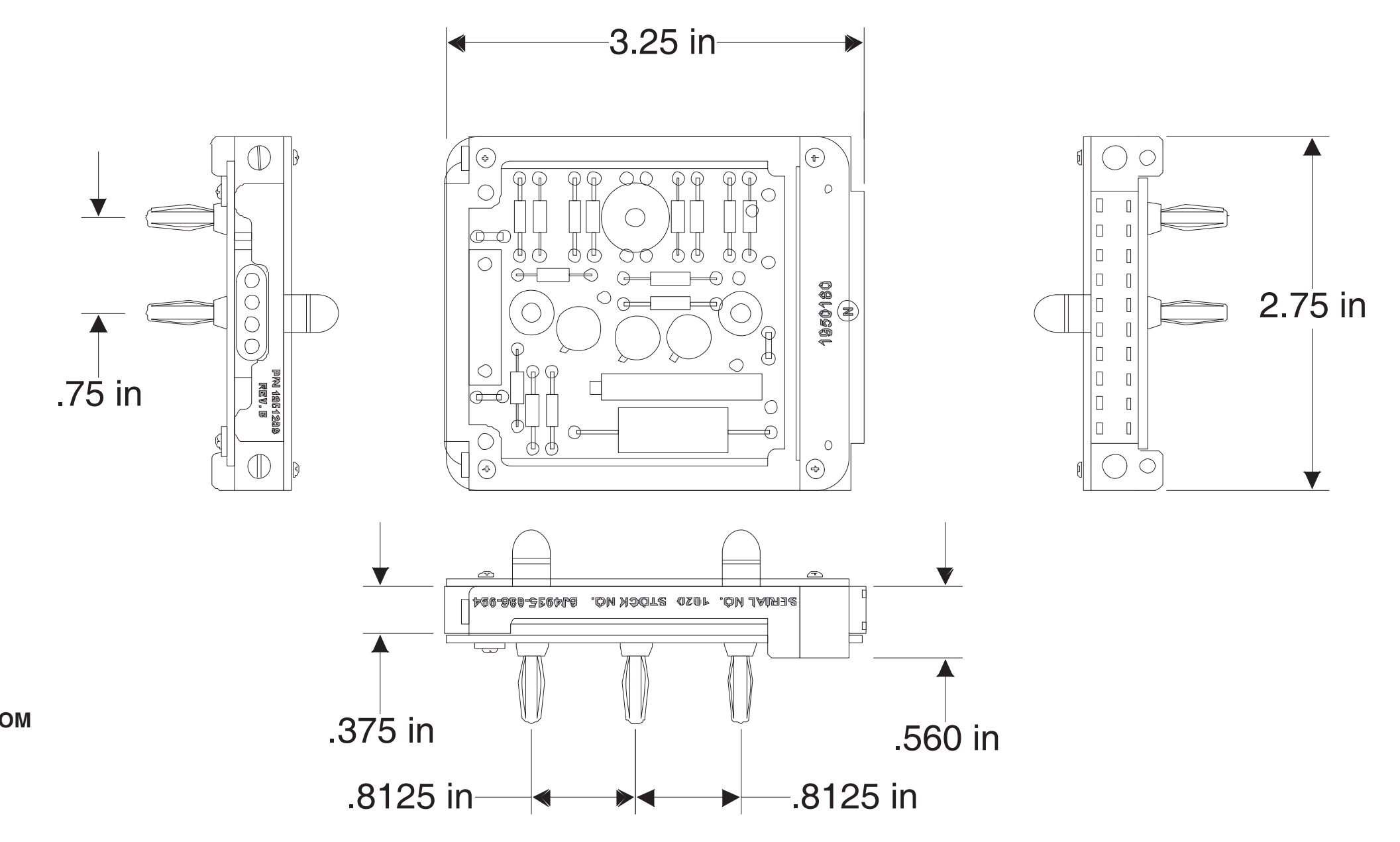
POWER PACK



- A - 1/32"
- B - 5/64"
- C - 1/8"
- D - 7/16"
- E - 1/4"

NOTE: UNLESS OTHERWISE SPECIFIED ALL HOLES ARE TYPE 'A'

NOTE: PLASTIC COVER IS MADE FROM 0.040" TYP. CLEAR PLASTIC



ROBOT B9 MISCELLANEOUS PARTS

D. Painter	SIZE: PSC0110	3/15/99	DWG. NO.	REV.
<i>D. Painter</i>	SCALE: 1:1		SHEET	1 of 1